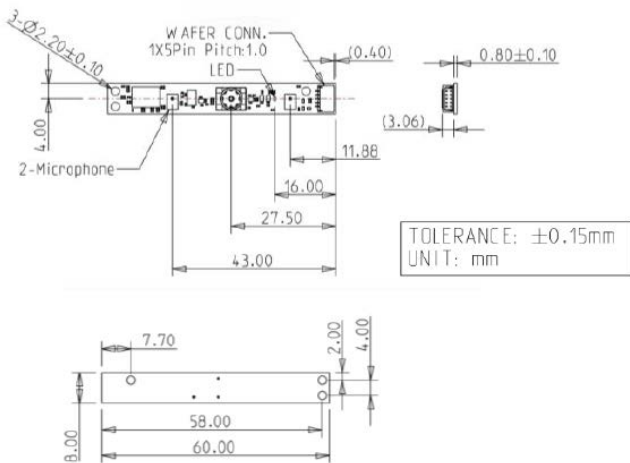


ECPP-01 Camera Modules - Data Sheet



ECPP-01 stands as a compact camera module meticulously crafted for integration into a spectrum of applications such as Panel PCs, vending machines, and frame display panels across diverse sectors, including retail, medical, and industrial industries. With a slender depth of 3.85mm, the ECPP-01 effortlessly fits into confined spaces, meeting the spatial requirements of your specific needs.

One distinguishing feature lies in its HDR lens, enabling seamless image capture regardless of lighting conditions – be it in well-lit environments or dimly lit spaces, the ECPP-01 consistently delivers authentic images. Adding to its versatility is the ease of installation, facilitated by a 1-meter cable, offering enhanced flexibility in choosing the mounting position within your application.

Moreover, the ECPP-01 boasts extensive OS support, ensuring compatibility across various operating systems. Its user-friendly functionality further enhances the overall experience, making it an ideal choice for those seeking a seamless and adaptable camera module solution.

Features

- Compatible with almost every device, support Windows, Linux, Android, MacOS
- High Dynamic Range, capture every detail under different brightness
- Platform driver support image adjustment
- Design for Panel PC and AIO (All-in-one) devices M17

ECPP-01 USB2.0 CAMERA MODULE
PART NO: ART211897
 + USB2.0 CABLE 1 METER
PART NO: ART211898

Technical Specification

Product Name:	ECPP-01
Output I/F	USB2.0
Resolution:	2mil, 1920x1080 @30fps
Lens Type:	Fixed Focus (M5)
Lens D/H/V FOV:	77.3°/69.9°/42.7°
Sensor Size:	1/6"
Pixel Size:	1.4 μm
Dimensions	60 (W) x 8 (L) x 3.85 (H)
Operating Temperature:	-20°C ~ +70°C
Power Consumption:	1W Approx.
OS Support:	Windows, Linux, Android, MacOS