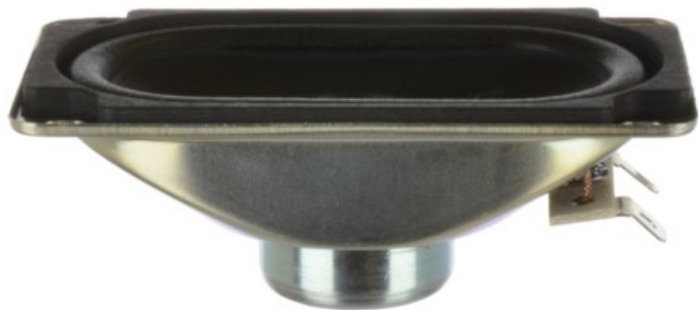




2" x 3.5" (50mm x 90mm) Oval Wide Range Speaker



This race-track speaker fits full range sounds into narrow spaces. The cone balances its size restrictions with a maximized surface area to maintain high quality output. A set of polarized terminals reduce connection errors and simplify system assembly. Put this into your game machines, kiosks, and other space conscious appliances for an energetic sound for your tight fitting needs.

More Specifications

Application	Casino Gaming, Indoor, Drive-Thru / Kiosk
RoHS Compliant	Yes
DC Resistance (Re) (Ω)	7.8
Program Power (W)	15

Material Descriptions

Basket Type	Stamped steel with zinc plating
Terminal Size (mm)	5.2 x 0.5 / 2.8 x 0.5
Voice Coil Diameter (mm)	19.38
Voice Coil Wire Material	Copper
Voice Coil Former Material	Paper
Magnet Material	Neodymium
Magnet Weight (gm)	14
Cone Body Material	Paper Composite
Cone Surround Material	Cloth
Spider Material	NA
Dust Cap Material	Paper Composite
Net Weight (kg)	0.08

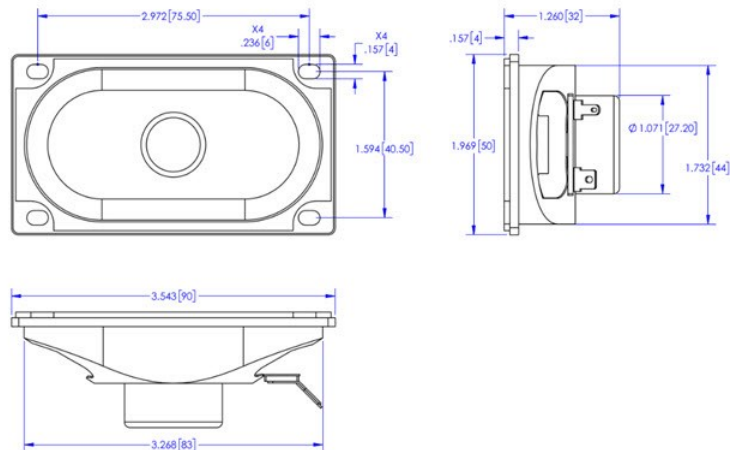
Part #: 31040203 Model #: 900N08-1WP

Key Features

Wide Range Speaker
2 x 3.5" (50 x 90 mm) basket diameter
7 watts, 8 ohms, 88 dB SPL
0.75" copper voice coil, paper former
Neodymium magnet, stamped steel basket
Paper cone, cloth surround

Primary Specifications

Size, Nominal (inch & mm)	2" Oval (50mm)
Rated Impedance (Ω)	8
Sensitivity (dB SPL)¹	88
Frequency Range (Hz)	280 - 20,000
Resonant Frequency (Fs) (Hz)	280



Small Signal Parameters

Nominal Impedance (Z) (Ω)	8
DC Resistance (Re) (Ω)	7.8
Resonant Frequency (Fs) (Hz)	280
Mechanical Q Factor (Qms)	3.8
Electrical Q Factor (Qes)	3.75
Total Q Factor (Qts)	0.83

