



2.1 Channel, 52W, PCB Style Amplifier with DSP

Part #: 31040212 Model #: 38147



Key Features

- 2.1 channel, class-D
- Analog, USB type B, and S/PDIF inputs
- Small form-factor amplifier with DSP
- 5-band EQ

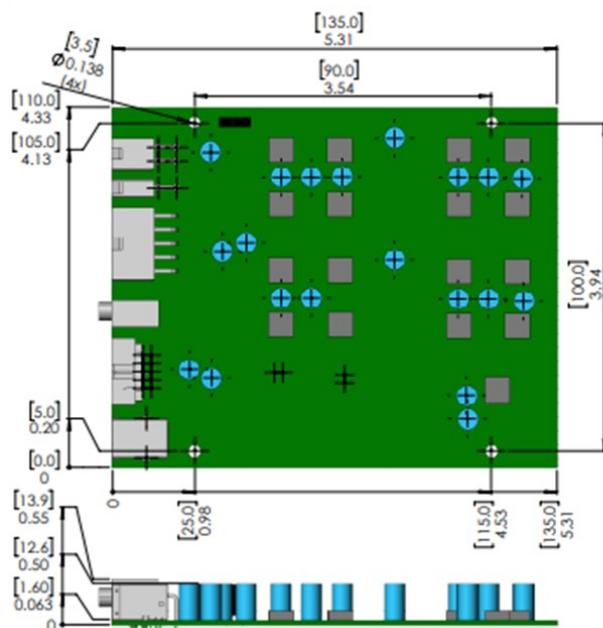
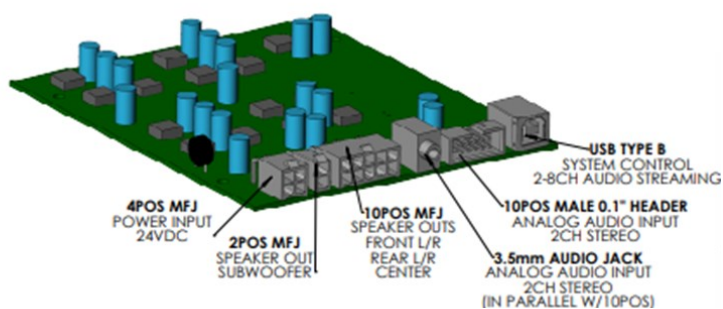
A 50-watt, small form-factor amplifier with DSP. This includes a 5-band EQ with crossovers and volume offsets. For easy access, one connector links to speaker outputs, analogue line-in, and input power.

Additional Specifications

Applications	Arcade Gaming, Casino Gaming, Pro Sound
RoHS Compliant	Yes
Amplifier Class Style	Class D
Connectors / Termination - Speaker Output	12-Pin (2x6) MFJ
Equalizers - EQs	5-Band
PCB Size (HxWxL) (mm)	70 x 108
Recommended Voltage (VDC)	24

Primary Specifications

Amplifier Style	Printed Circuit Board
Amplifier Channels	2.1
Watts Per Channel (HF/LF) (W)	13 x 2 / 25
Digital Signal Processing	Yes
Audio Input	USB, S/PDIF, Analog



www.eurocoincomponents.com
sales@eurocoincomponents.com
www.linkedin.com/company/eurocoin